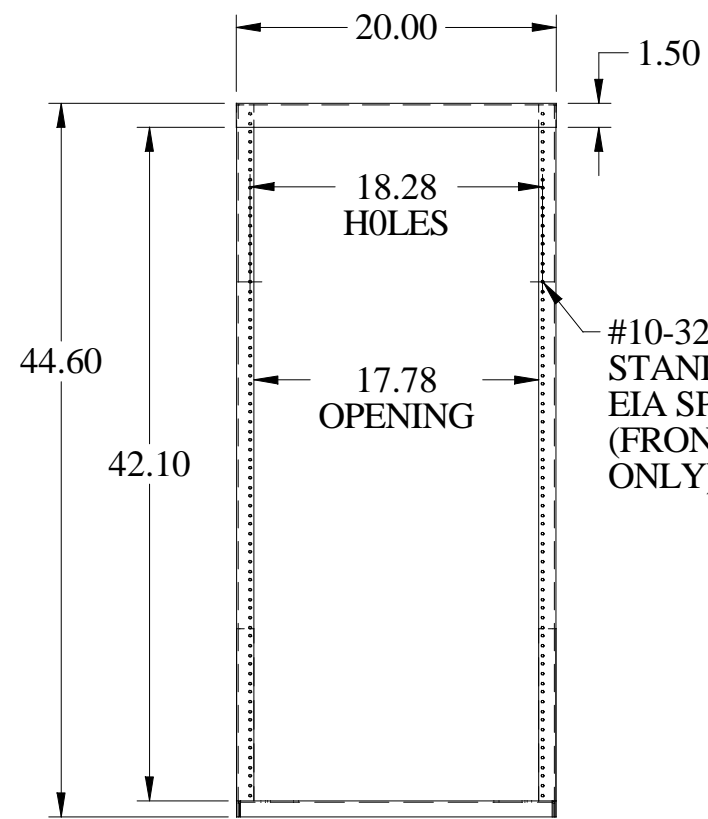
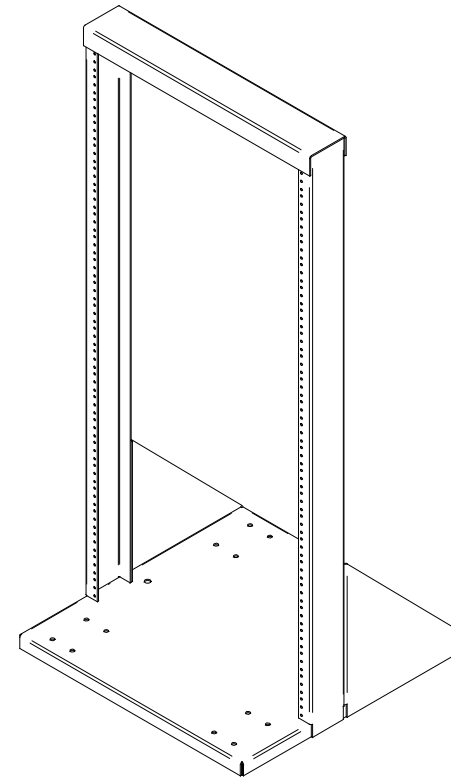


PART No. DNRR42LDW

for more information visit  
[www.hammondmfg.com](http://www.hammondmfg.com)

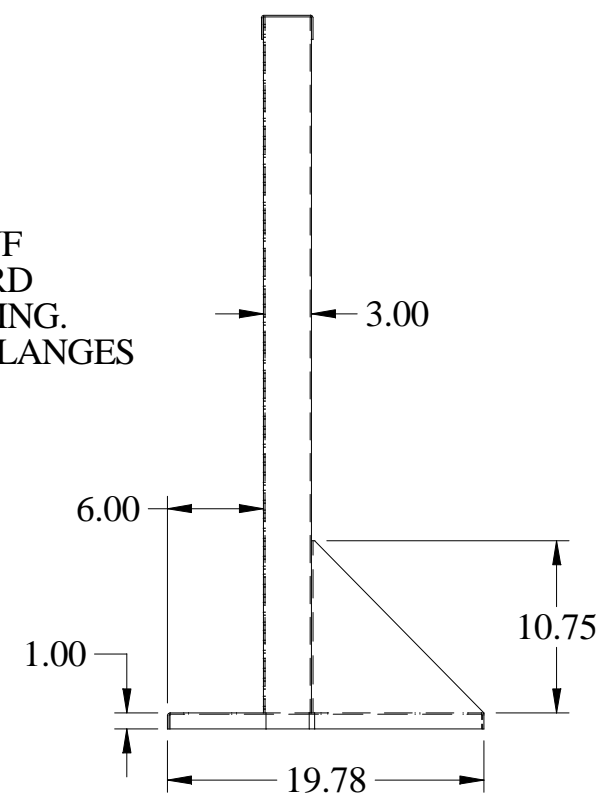
Data subject to change without notice

Isometric drawing Not to Scale



FRONT VIEW

#10-32 UNF  
STANDARD  
EIA SPACING.  
(FRONT FLANGES  
ONLY)



SIDE VIEW